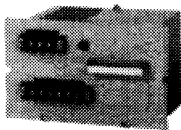


NutroniK 8000

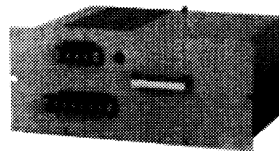
CVT Type Power Supply Unit

Model NTW 244/246/247/249

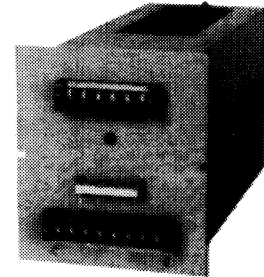
CVT (Constant Voltage Transformer) type Common Power Supply Units are used to supply each instrument (including NupaK) of NutroniK 8000 with DC-power.



Model : NTW246



Model : NTW249



Model : NTW247

Specifications

Item		Model No.	NTW246	NTW249	NTW247	NTW244
Construction	Output indication		LED			
	Output check		Connecting terminals			
	Cable connection		Screw (M3)		Screw (M4)	
	Prevention of erroneous contacting		Separator pieces provided.			
	Cooling		Unforced air cooling			
	Color of finish		Light gray (Munsell 7.5 BG 6/1.5)			
	Mounting type		Rack mount			
Input	Voltage		AC 100, 110/115/120, 220/240V $\pm 10\%$ (Single phase)			
	Frequency		50 or 60Hz $\pm 1\text{Hz}$ (Tap selection)			
	Current	105V	0.6A max.	1.6A max.	4.5A max.	9A max.
		115V	0.55A max.	1.4A max.	4.2A max.	8.3A max.
		230V	0.3A max.	0.7A max.	2.1A max.	4.2A max.
Rush current		Less than 10 times the rating value of input current. (at 100% load)				
Power		53W (63VA)	145W (170VA)	320W (380VA)	600W (710VA)	
Output	Voltage		DC 25.5V $\pm 2\text{V}$			
	Current (100% load)		1A DC	3A DC	7.5A DC	15A DC
	Allowable current change		0~100% [Note 1]	10~100%		
Ripple (100% load)		X type; 1.2V p-p D type; 0.5V p-p			0.5V p-p	
Output hold time [Note 2]		X type; 50ms D type; 200ms			200ms	
Power-factor		85%				
Efficiency (Rated input and 100% load.)		55%	60%			
Allowable load shorting time		15 minutes or less				
Output shorting protection		By dropping characteristic of transformer itself.				
Overvoltage at time of trouble		30V or less				
Capacity of alarm relay contacts [Note 3]		AC 100V, 0.3A DC 24V, 0.12A (D type only)				
Operation		Any parallel operation is available. [Note 4]				
Ambient temperature		0~50°C				
Ambient humidity		10~90% RH				
Weight		6kg	11kg	17kg	30kg	

Note 1) 0% indicates open loop in the output terminals.

2) Time measured from primary input voltage opened until reading of the output voltage is dropped to DC 15.5V in the full load.

3) As of resistance load.

4) Any parallel operation is available for the following combinations.

Model Number Table

Ex: NTW244-3-X

Available combinations
of any parallel operation

Note)

Selection of AC power supply

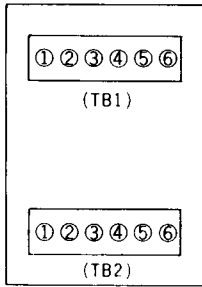
- 1: AC220/240 V, 50 Hz
- 2: AC220/240 V, 60 Hz
- 3: AC100 V, 50 Hz
- 4: AC100 V, 60 Hz
- 5: AC110/115 V, 50 Hz
- 6: AC110/115 V, 60 Hz
- 7: AC120 V, 50 Hz
- 8: AC120 V, 60 Hz

Basic Model No.	Selection	Options	Description
	Main Power Supply		
NTW244			CVT type power supply unit (15A DC output)
NTW246			" (1A DC output)
NTW247			" (7.5A DC output)
NTW249			" (3A DC output)
	-1~8		AC100~240V (See note 2)
		-X	No option
		-D	Long hold time/with alarm output (Only model NTW246/249)

	NTW246		NTW249		NTW244	NTW247
	X	D	X	D		
NTW246	X	○	-	-	-	-
	D	-	○	-	-	-
NTW249	X	-	-	○	-	-
	D	-	-	-	○	-
NTW244	-	-	-	-	○	-
NTW247	-	-	-	-	-	○

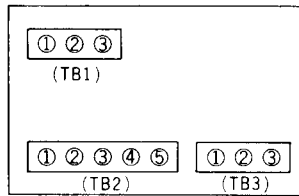
Note) "Any" means number of power supplies for parallel operation has no restriction theoretically.

Terminal Connections



TB1 (AC INPUT, ALARM OUTPUT)	TB2 (DC OUTPUT)
① H	① +
② N	② +
③ G	③ +
④ NO	④ -
⑤ C	⑤ -
⑥ NC	⑥ -

Model : NTW244/247



TB1 (AC INPUT)	TB2 (DC OUTPUT)	TB3 (ALARM OUTPUT)
① H	① +	① NO
② N	② +	② C
③ G	③ +	③ NC
	④ -	
	⑤ -	

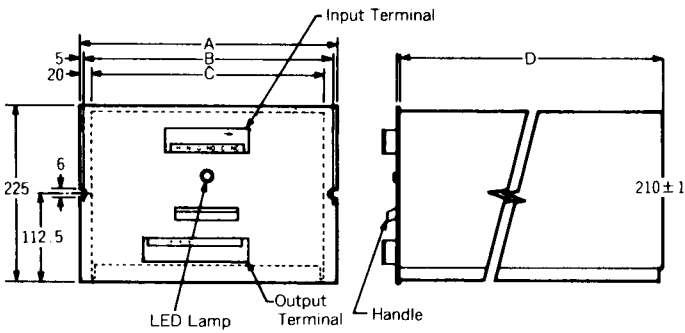
TB3 : Only D Type

Model : NTW246/249

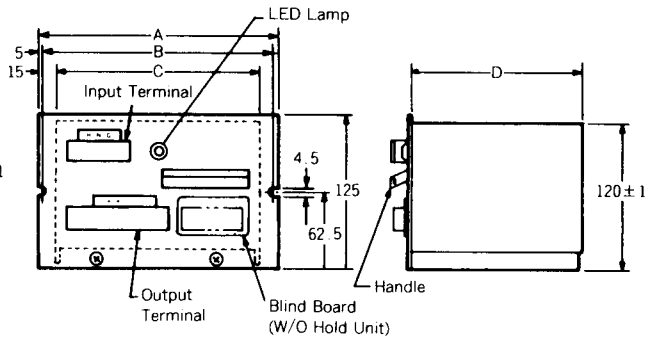
Dimensions

	NTW244	NTW247
A	330	200
B	320	190
C	290	160
D	400	400

	NTW246	NTW249
A	200	300
B	190	290
C	170	270
D	143	223



Model : NTW244



Model : NTW246

Specifications are subject to change without notice.

YAMATAKE

Yamatake Corporation

Totote International Building
2-12-19 Shibuya
Shibuya-ku Tokyo 150-8316
Tel : 81-3-3486-2216
Fax : 81-3-3486-2503

Yamatake-SIC Control Systems Co., Ltd.
Shanghai Yamatake Jinshan Control Instruments Co., Ltd.
Yamatake (Thailand) Co., Ltd.
Yamatake Philippines, Inc.
PT. Yamatake Berca Indonesia
Yamatake Controls Singapore Pte. Ltd.
YCV Corporation

: China 86-10-6326-9844/55
: China 86-21-5793-5334
: Thailand 66-2-210-0900-7
: Philippines 63-2-817-6452
: Indonesia 62-21-230-5537/5539
: Singapore 65-778-5966
: U.S.A. 1-602-548-1800

Savemation

Saving through Automation

Yamatake Industrial Systems Co.,Ltd.

<http://www.yamatake.co.jp/>

This has been printed on recycled paper.

9903-Y/Y