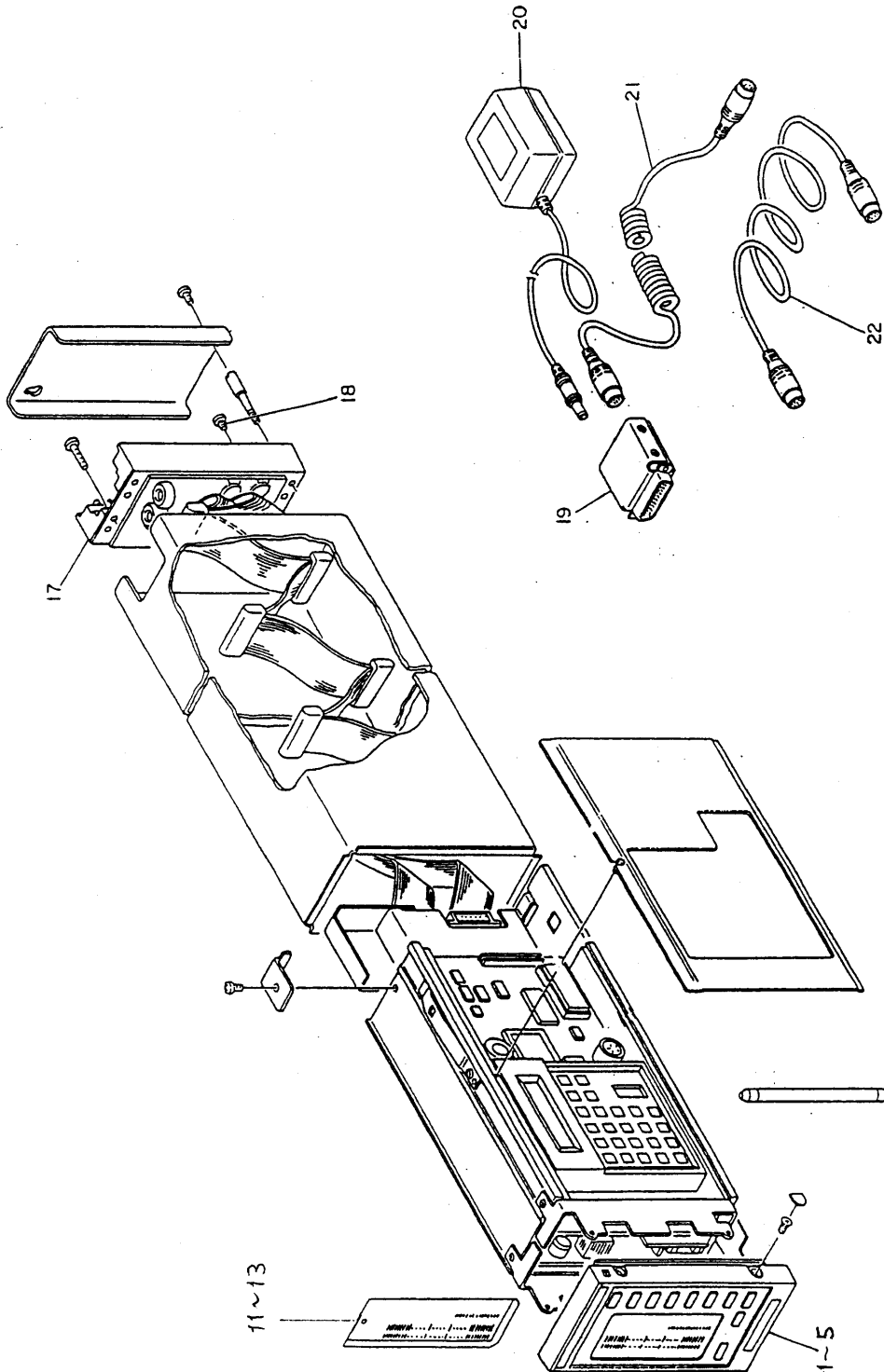


SSCII

SINGLE STRATEGY CONTROLLER II



PARTS LIST: Single Strategy Controller II	First Edition: 01/30/90	Page: S-01-02
	Revision (1): 01/03/03	

Key No.	Description	Applicable instruments	Quantity	Part No.
1	front unit assembly A/M type	KAM	1	80332686-001
2	front unit assembly A/M/C type	KAM	1	80332686-002
3	front unit assembly A/M type	KAS	1	80332686-004
4	front unit assembly A/M/C type	KAS	1	80332686-005
5	front unit assembly	KAP	1	80332686-003
11	scale plate (standard)	KAM	1	80332426-101
12	scale plate (standard)	KAS	1	80332426-106
13	scale plate (standard)	KAP	1	80332426-102
17	connecter assembly	KAM/KAS/KAP	1	80332388-001
18	terminal's screw	KAM/KAS/KAP	-	80332689-306
19	adapter	KAK/KAD	1	80332540-001
20	a.c. adapter	KAK	1	83975177-001
21	handy communicator cable	KAK	1	80332293-002
22	PC communicator cable	KAD	1	80332662-002
23	cold cathode fluorescent lamps (consumer goods)	KAM/KAS/KAP	1	83973418-001