

# Field communication software

## CommStaff™

### Model CFS100

## Overview

Field Communication Software CommStaff Model CFS100 allows the user to configure and adjust smart field devices using a PC.

In addition to supporting Azbil Corporation's proprietary SFN communication protocol for smart field devices, with a change of the communication interface CommStaff supports the HART communication protocol.

Parameter settings can be saved to simplify field device management.

## Features

### Supports HART and SFN communication protocols.

With a change of the communication interface, CommStaff supports both the HART and SFN communication protocols.

### Ease-of-use increases fieldwork efficiency

The easy-of-use five-point check function increases efficiency during loop checks.

### Easy management of configured parameters

- Parameter settings can be saved by Tag No.
- As needed, parameter settings can be exported as either a CSV file (text file) or as a PDF.

### Supported models

Available  Not yet available

Model	Communications	
	SFN	HART
DST™3000 Ace Smart Transmitter (SFN models are not compatible with software version B.1 or earlier.)	✓	✓
GTX series AT9000 Advanced Transmitter	✓	✓
DST™3000 Ace Smart Transmitter (Not compatible with software version 7.7 or earlier.)	✓	—
PTG series Bravolight Pressure Transmitter	✓	✓
ATT series Thermonex™ Smart Temperature Transmitter (SFN models are not compatible with software version 3.4 or earlier.)	✓	✓
MVC series STEAMcube™ Steam Flowmeter (Not compatible with software version 3.9 or earlier.)	✓	—
SLX Series Smart Displacement type Level Transmitter (Not compatible with software version 3.0 or earlier.)	✓	—
JTL series ALTJ3000 Immersion Liquid-Level Transmitter	✓	—
AVP3000 Alphaplus Electric & Pneumatic Smart Valve Positioner (HART models are not compatible with software version 3.8 or earlier.)	✓	✓
Smart Valve eXplorer Smart Positioner for Rotary Valves (HART models are not compatible with software version 4.8 or earlier.)	✓	✓

Note: DE communication mode is not supported.  
We will add support for more models in stages.



Note: Personal computers are sold separately

## Specifications

### PC system

#### • Software

OS: Microsoft Windows 7 Professional 32-bit  
(Japanese or English)

#### • Hardware

Free disk space: 500 MB min.

USB ports: One, USB 2.0 or higher

Display: 800 × 600 pixels or more  
65536 colors or more

CD-ROM drive: Needed for installation only

### SFN communication interface

USB connection: USB 2.0

Power: Supplied via the USB port

(rated current 22 mA; max. 30 mA)

Connection to PC: USB Type A plug

Connection to device: Alligator clip or easy hook

Environment:

Operating temperature; 0 to 50 °C

Transport/storage temp.; -40 to +70 °C

Operating humidity; 5 to 95 % RH

### HART communication interface

**Azbil Corporation recommends the following and cannot guarantee the operation of other products.**

Manufacturer; MACTek Corporation

Model number; Model 010031

(USB connection type)

Note: In case of HART communication, it cannot communicate simultaneously with other HART hosts.

## Model Number Configuration Table

CommStaff CFS100 Smart communicator

Base number

<b>CFS100</b>		-		
<b>Connection</b>	USB connection		U	
<b>Communication interface<sup>*1</sup></b>	none			X
	SFN communications interface (alligator clip)			1
	SFN communications interface (easy hook)			2
<b>Option</b>	none			X

\*1. To use the HART communication protocol, select "X" here, and purchase the HART communication interface separately.

## Connection Example

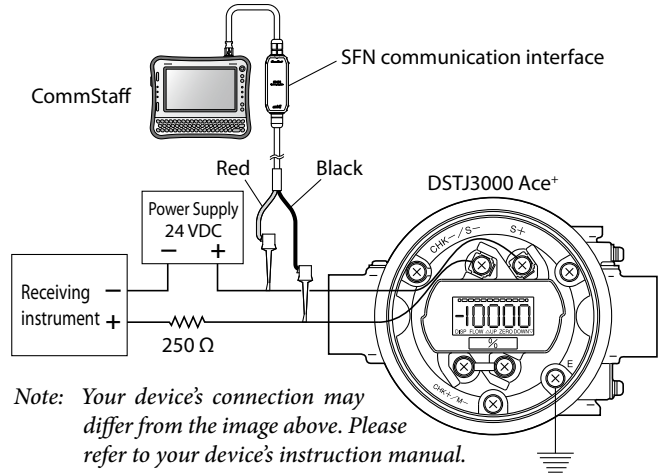
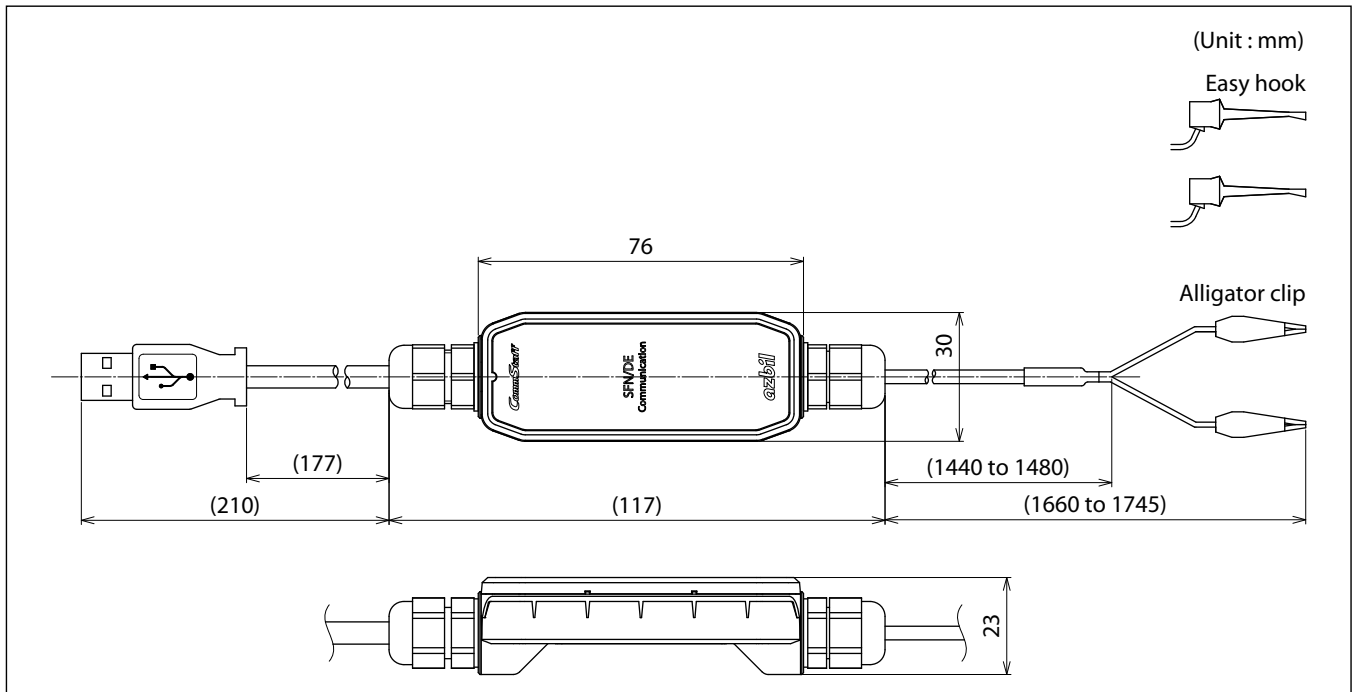


Figure 1. Example of SFN communication connection using CommStaff.

## External Dimensions



CommStaff™ is a trademark of Azbil Corporation in Japan.  
HART® is registered trademark of HART Foundation.  
Windows® is registered trademark of Microsoft Corporation in the United States and other countries.  
Specifications are subject to change without notice.

**azbil**

**Azbil Corporation**  
Advanced Automation Company

1-12-2 Kawana, Fujisawa  
Kanagawa 251-8522 Japan  
URL: <http://www.azbil.com/>

1st Edition: Issued in Jan. 2011  
2nd Edition: Issued in Apr. 2012

No part of this publication may be reproduced or duplicated without the prior written permission of Azbil Corporation.