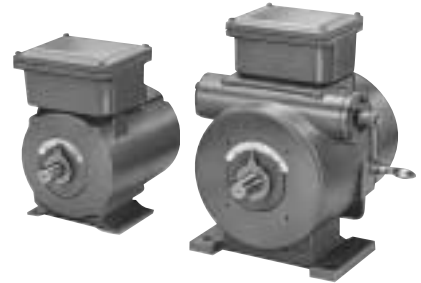


HM

High-Torque Modutrol Motor

The HM serves as an electric actuator to execute either 2-position or proportional control action, with relay contact signal input.

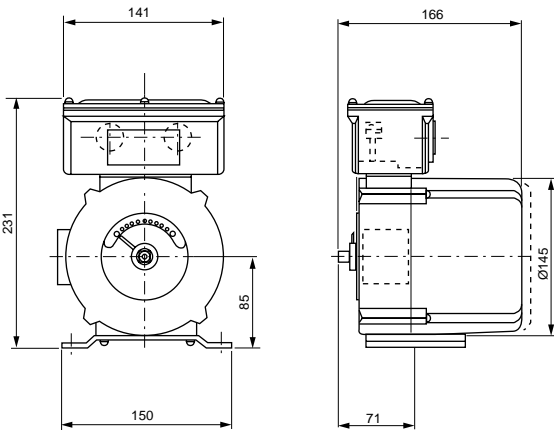
Housing is aluminum alloy casting making it rigid, compact and drip-proof. Internal moving parts are sealed with grease for high-efficiency, low running noise and long life.



Specifications

Housing	Aluminum alloy casting
Power supply	100/110Vac, 50/60Hz (all models) 200/220Vac, 50/60Hz (HM-10, 20 only)
Ambient temperature	0 to 60°C with 100% load factor
Ambient humidity	Lower than 85%RH at 60°C
Construction	Drip-proof structure
Attachments	One set of clamp arms (selectable) HM02-Part No. HLE02 HM04-Part No. HLE04 HM06-Part No. HLE06 HM10-Part No. HLE10 HM20-Part No. HLE20

Dimensions (unit:mm)



Selection Guide I II III IV Example: HM02A10A

Table	Selection	Availability								Description				
		Torque (kgf-m)	Control outputs ON-OFF	Position proportional	Manual handle									
I	Basic Mode No.	HM02A	↓								2.4	○	-	without
		HM02B		↓							2.4	-	○	without
		HM04A			↓						4	○	-	without
		HM04B				↓					4	-	○	without
		HM06A					↓				6	○	-	without
		HM06B						↓			6	-	○	without
		HM10A							↓		10	○	-	with
		HM10B								↓	10	-	○	with
		HM20A									20	○	-	with
		HM20A									20	-	○	with
II	Power	1	○	○	○	○	○	○	○	○	○	○	○	100/110Vac, 50/60Hz
		2	-	-	-	-	-	-	-	○	-	-	-	200/220Vac, 50/60Hz
			-	-	-	-	-	-	-	-	○	-	-	
			-	-	-	-	-	-	-	-	-	-	○	
III	Option (1)	0	○	-	○	-	○	-	○	-	○	-	○	None
		1	-	○	-	○	-	○	-	○	-	○	-	1 feedback potentiometer
		2	-	○	-	○	-	○	-	○	-	○	-	2 feedback potentiometers
IV	Option (2)	A	○	○	○	○	○	○	○	○	○	○	○	None
		B	○	○	○	○	○	○	○	○	○	○	○	2 auxiliary switches

ACTUATORS